

AirborneDirect™ Wireless Bridge Ethernet to Wireless LAN (external)

ABDB-ET-DP100 series

ABDB-ET-DP500 Enterprise series



Highly integrated, plug and play

AirborneDirect™ is a family of fully integrated 802.11 wireless LAN bridge products designed to provide wireless LAN and Internet connectivity to transportation, medical, warehouse logistics, POS, industrial, military and scientific applications.

The highly integrated hardware and software enables plug-and-play capability. This significantly reduces the complexity of wireless system deployment and network connectivity.

Integrating AirborneDirect™ with existing OEM platforms can significantly enhance the product's value and functionality giving the OEM a competitive advantage.

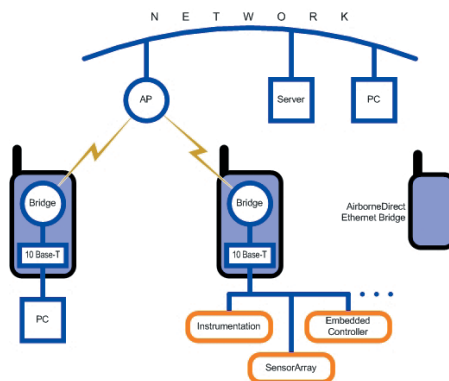
Application

The AirborneDirect™ Ethernet Bridge creates a connection between an 802.11b wireless LAN device with a Ethernet port. The Bridge transparently conveys data between the device with a 10 BaseT interface and a wireless LAN. The Bridge opens up the world of remote device monitoring and management,

enabling many applications the ability to connect to the LAN or Internet. For example:

- data loggers
- medical and industrial monitors
- data acquisition and control systems
- programmable controllers

The Evaluation & Design Kit provides software and utilities that allow a developer to quickly and easily operate and evaluate the Bridge.



KEY FEATURES

- Extended operating temperatures (-40° to +85°C) and environmental specifications
- Advanced security: WEP (64 & 128 bit), WPA and 802.1x (LEAP) authentication
- Plug-and-Play LAN and Internet Connectivity
- Compact Package Outline
- Integrated External Antenna
- Integrated Ethernet Cable and RJ-45 (Male) Connector
- Software-Configurable 802.11b Interface
- Advanced utilities for discovery, configuration and management of AirborneDirect™ Ethernet device
- North American and European regulatory approvals (FCC, CE, IOC)
- 5 year warranty

Model Selection Guide

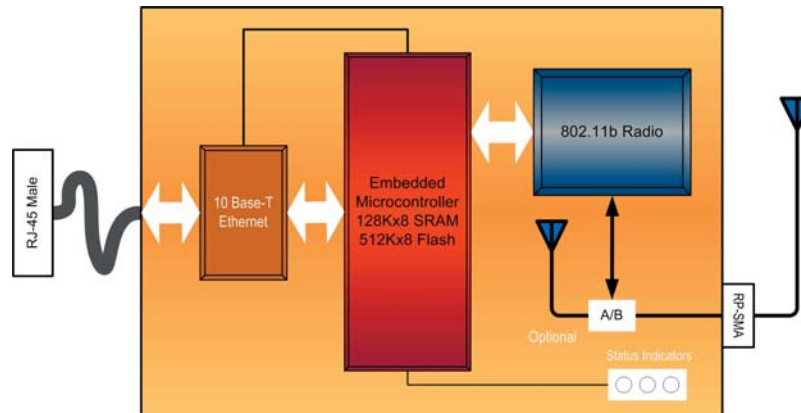
Model No.	Interface	WiFi	Security		
	10 Base-T Ethernet	802.11b	WEP (64 & 128 bit)	WPA	LEAP*
ABDB-ET-DP101	●	●	●	●	
ABDB-ET-DP501	●	●	●	●	●
To evaluate all available features and receive evaluation tools, order below.					
ABEB-ET-DP101	Evaluation & Design Kit, includes Wireless Access Point				
ABEB-ET-DP102	Evaluation & Design Kit, does not include Wireless Access Point				



For RoHS-compliant 802.11b products, add "-G" at end of model number.

* Web server not present with LEAP

Block Diagram



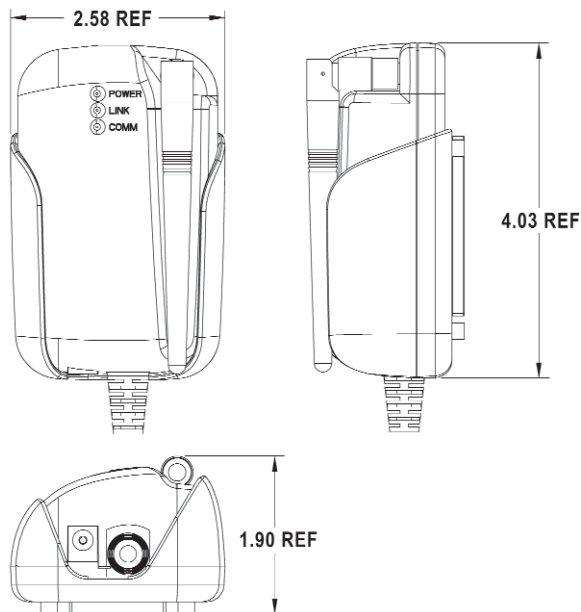
Package Contents

Model No.	Package Includes:
ABDB-ET-DP101 ABDB-ET-DP501	AirborneDirect™ Ethernet Bridge Omni-directional Wand Antenna Power Supply Mounting Bracket
<u>Evaluation & Design Kit</u> ABEB-ET-DP101 ABEB-ET-DP102 (does not include Access Point)	AirborneDirect™ Ethernet Bridge Omni-directional Wand Antenna Power Supply Mounting Bracket 802.11b Compatible Access Point Hardware & Software Users Manual Quick Start Guide Installation CD

Specifications

Ethernet Interface	10 Base-T, RJ-45 Male with pigtail, 10Mbps
Wireless Network Interface	IEEE 802.11b DSSS, WiFi Compliant
Frequency	2.4 ~ 2.4835 GHz (US, Europe, Canada, Japan) 2.471 ~ 2.497 GHz (Japan)
Channels	11 US/Canada 13 Europe 14 Japan 4 France
Wireless Raw Data Rates	11Mbps, 5.5Mbps, 2Mbps, 1Mbps
RF Power	+18dBi (typical)
Security	WEP (64 & 128 bit), WPA (PSK & TKIP), WPA with LEAP
Antenna	Integrated Omni-directional RP-SMA +3dBi antenna
Status Indicators	Power, Link, Comm
Power Input	110/240VAC to 5VDC external power supply (wall wart)
Power Consumption	2.5W @ 5.0VDC (AC Adapter)
Power Supply Connector	2.1 mm Barrel Jack
Software Configuration	Web page based configuration interface
Management	Device Discovery, Configuration and Remote Firmware Upgrade
OS Compatibility	Win9x/ME/NT/2000/XP
Agency Approvals	US = FCC Part 15 Class B, C/UL, CE Europe = CE Canada = RSS-210
Operating Temperature	-40°C to +85°C
Storage Temperature	-40°C to +125°C
Dimensions (without mounting bracket)	99.8mm L x 60.5mm W x 36.1mm T (3.93 in. x 2.38 in. x 1.42 in.)
Enclosure	Nylon - Gray

Mechanical Outline



Quatech, Inc. High Performance Device Networking and Connectivity
5675 Hudson Industrial Parkway, Hudson, OH 44236 Tel 800.553.1170 Fax 330.655.9070 www.quatech.com